

Data sheet | Item number: 852-1280

SFP Module 1000BASE; ZX Single-Mode 1550 nm LC; 80 km; Extended temperature range; DDM



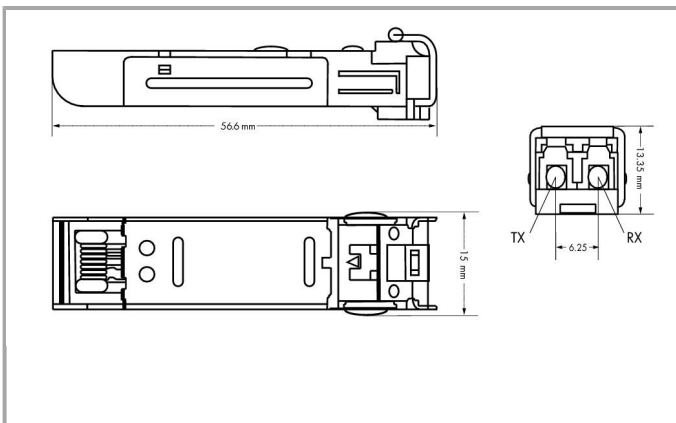
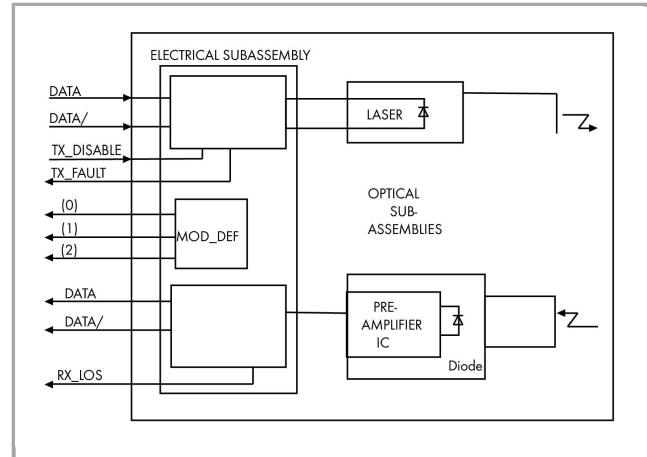
852-1280



RoHS Compliant

[BOMcheck.net](https://www.bomcheck.net)

Color:



Item description

Features:

- Duplex LC optical connector
- Small Form-Factor Pluggable (SFP) industry-standard design
- Compliant with IEEE802.3z Gigabit ETHERNET Standard
- Differential LVPECL inputs and outputs
- Power supply: 3.3 V

- TTL signal detect indicator
- Hot-pluggable capability

Data

Technical Data

LWL-Fasertyp	Single-mode
--------------	-------------

Connection data

Connection technology: communication/fieldbus	1 x SFP, LC fiber-optic connectors
Anschlussanforderung zulässige Leitungslänge	80000 m
Connection requirement (permissible cable type)	Single-mode fiber 9/125 µm, wavelength 1550 nm

Geometrical Data

Width	13.4 mm / 0.528 inch
Height	13.3 mm / 0.524 inch
Depth	56.6 mm / 2.228 inch

Mechanical data

Weight	17 g
--------	------

Environmental Requirements

Surrounding air (operating) temperature	-40 ... 85 °C
Surrounding air (storage) temperature	-40 ... 85 °C

Commercial data

Country of origin	TW
GTIN	4055143394154
Customs Tariff No.	85176200000

Downloads

Documentation

Bid Text

852-1280	doc	Download
	27.1 kB	

Additional Information

Disposal; Electrical and electronic equipment, Packaging	V 1.0.0	pdf	Download
		265.8 kB	



Subject to changes.
